

Figure A
Showcase shelving

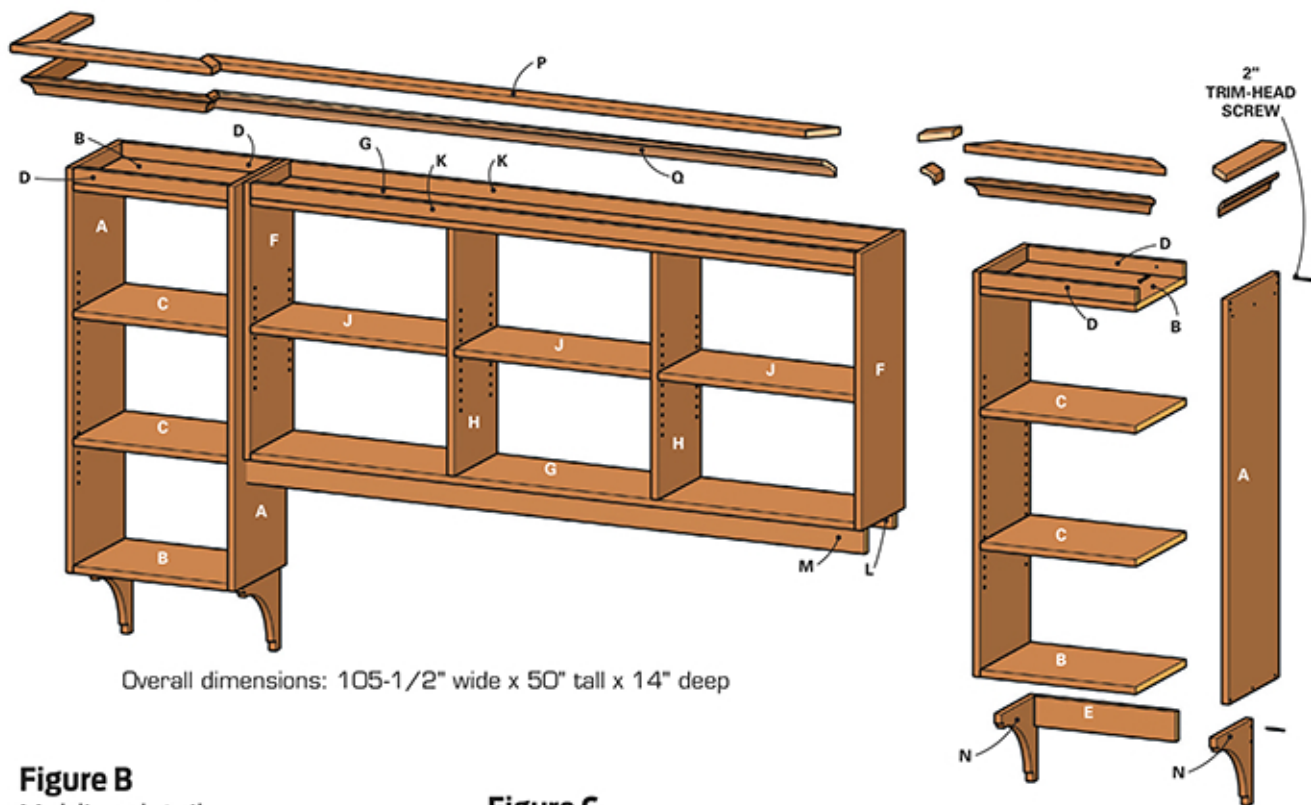


Figure B
Molding detail

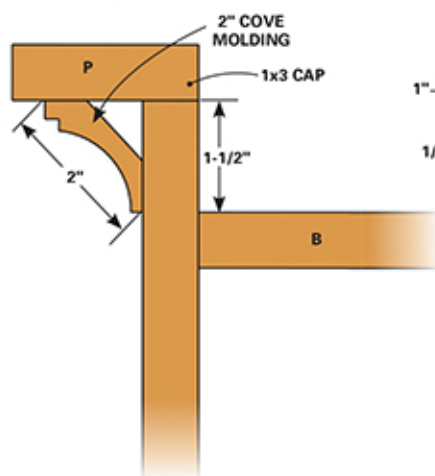
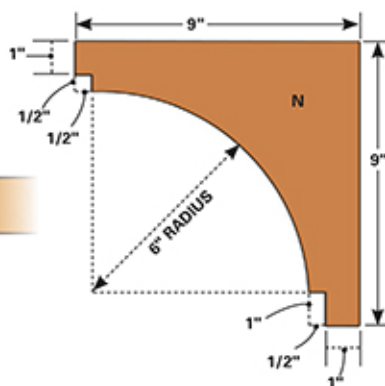


Figure C
Bracket



Materials List

ITEM	QTY.
4' x 8' x 3/4" plywood	2
1x10 board	4 lin. ft.
1x3 board	14 lin. ft.
2" cove molding	14 lin. ft.
Edge-banding veneer	70 lin. ft.
2-3/4" cabinet screws	10
2" trim-head screws	60
1-1/4" trim-head screws	8
1-1/2" finish nails	
1" finish nails	
1/4" shelf pins	28

Figure D
Pegboard jig

