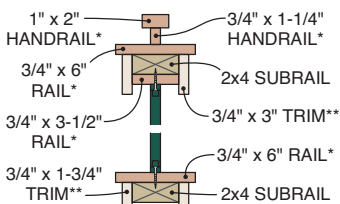
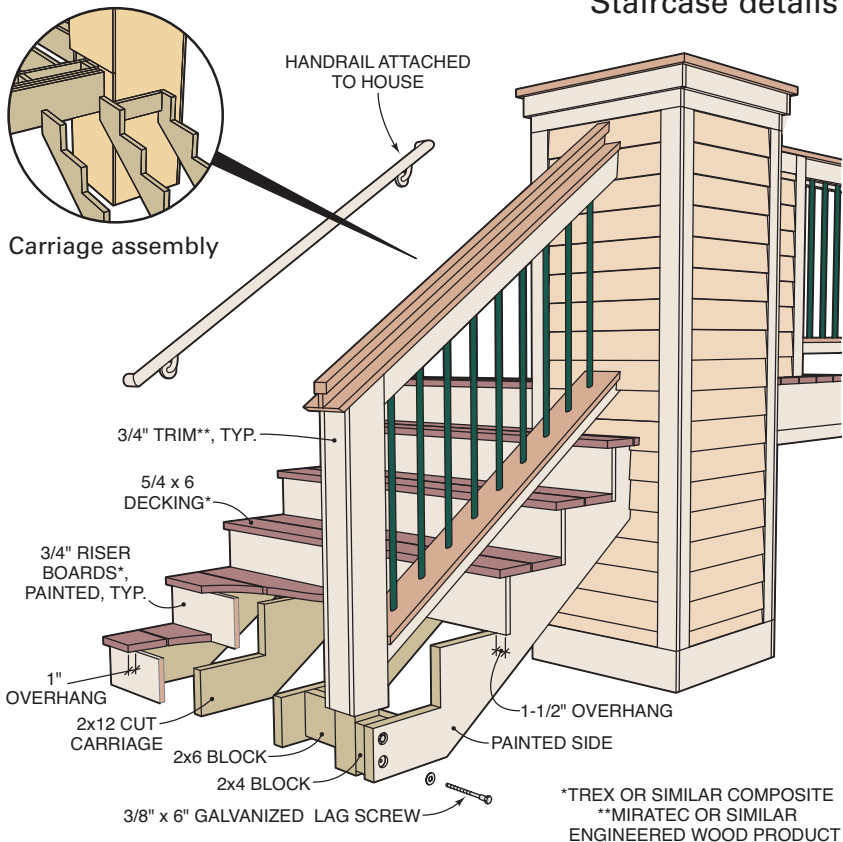
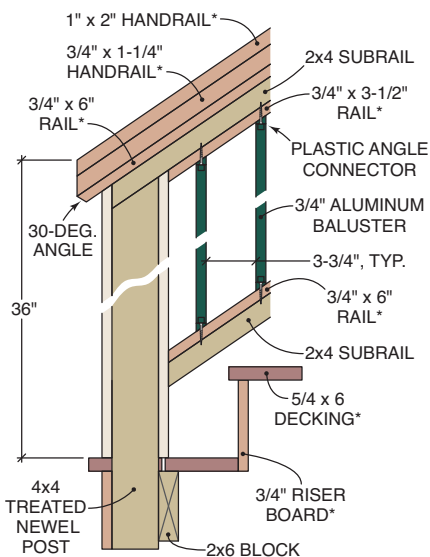


Figure D Staircase details



Railing detail:
Cross section



Railing detail