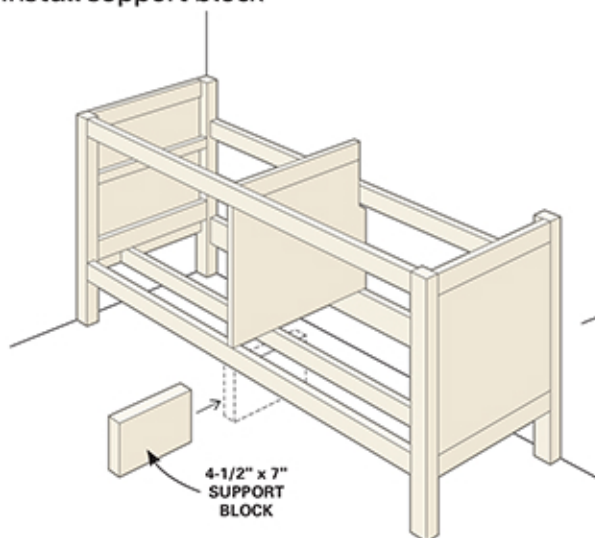
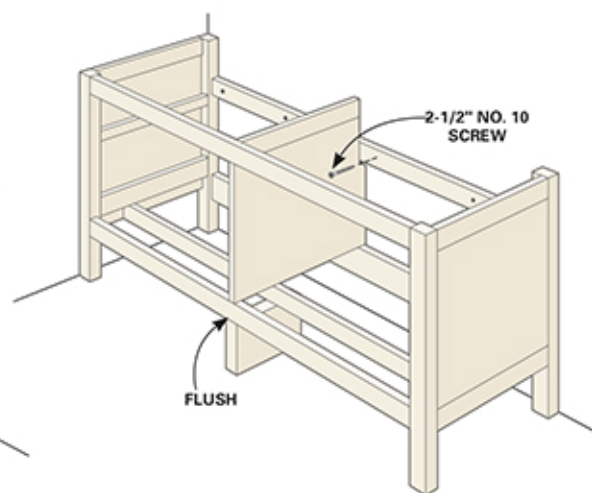


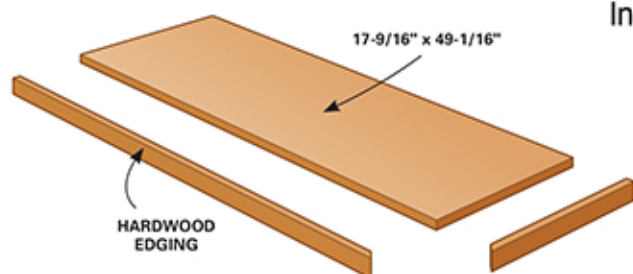
Step 1
Install support block



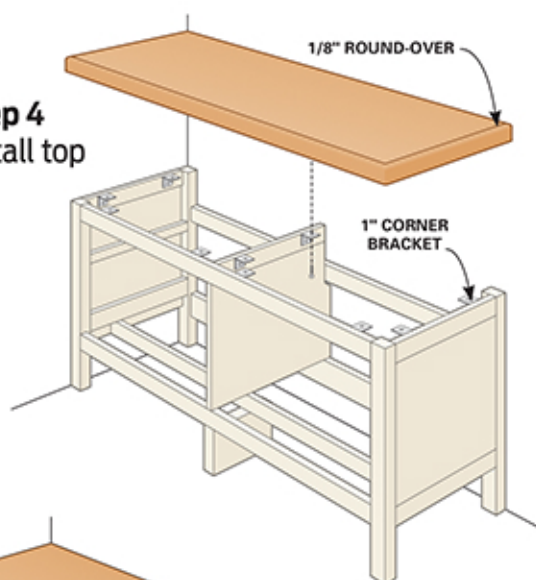
Step 2
Fasten bench to wall



Step 3
Build plywood top



Step 4
Install top



Step 5
Fasten molding

